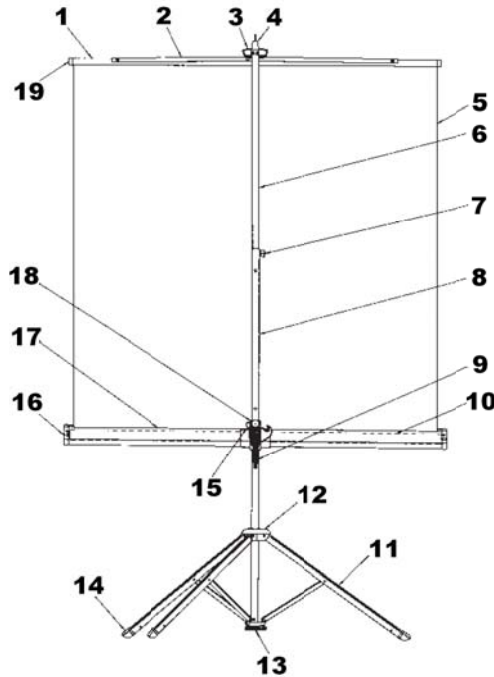


# PARTY LINE

## Projector Screen

Please read these instructions carefully before use

- 1) Slat
- 2) Saddle
- 3) Pull Bail
- 4) Hanger Hook
- 5) Picture Surface
- 6) Extension Tube
- 7) Black Locking Knob
- 8) Bottom Tube
- 9) Handle
- 10) Roller
- 11) Tripod
- 12) Leg Bracket
- 13) Toe Release & Leg Lock
- 14) Leg Shoes
- 15) Fabric Tension Lock Lever
- 16) End Cap
- 17) Screen Case
- 18) Black Locking Knob
- 19) Slat Caps



### Operation

- Hold screen vertically with tripod just above floor. With toe, press straight down on toe release plate. Tripod legs will glide open.
- Pull out Black Locking Knob at top of bottom tube.
- Raise extension tube to first position, and then swing case to horizontal position.
- Raise screen surface and pull bail over hanger.
- Release Black Locking Knob and fabric tension lock lever on handle.
- Holding extension tube with one hand and releasing Black Locking Knob with other, raise extension tube to desired position. The case position may be changed by pulling out the Black Locking Knob located on the handle.
- When case at desired position, lock into place by pressing down on the fabric tension lock lever.

### After the event

- Return screen case to original central position on center tube.
- Before re-rolling surface into case, examine both front and back of surface to be sure they are free of foreign matter.
- Hold extension tube firmly. Pull out top Black Locking Knob and lower extension tube to bottom position.
- Unhook screen pull bail and complete re-rolling fabric into case.
- Swing case to vertical position. Note that fabric locks in.
- Set tab on hanger in opening of case end cap. As extension tube locks, the case also is locked.
- Place tip of middle finger of right hand in depression beneath leg bracket. Lift leg bracket sharply, at the same time applying a slight lift to entire unit with left hand. Note that legs are closed and locked, hanger, and extension tube and case are locked and surface is locked to provide for safe and comfortable carrying and storing.

### **Party Line Rentals**

**21 Vreeland Ave Elmsford, NY 10523**

**(914) 592-1200**

**Partylinerentals.com**