



Product Specification Sheet

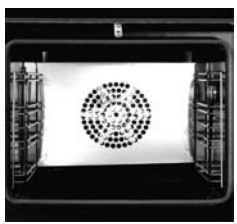
120 Volt, Half Size, High Performance Convection Oven with Finishing Mode



Model OV-350 - Countertop convection oven has 2 modes: regular baking and finishing



Handles up to 3 half size sheet pans in normal baking mode



High speed fan for even air distribution

NEMA 5-15P Plug

Convection Oven Features

- 2 modes: regular baking and finishing
- Control for top brown finishing
- 1.35 cubic feet cooking chamber (18 1/4" W x 14 1/2" D x 8 5/8" H)
- Handles three standard 1/2 size sheet pans (not included)
- Rear fan circulates heated air for even baking
- Temperature controls for baking, cooking, defrosting, reheating or warming
- Heat settings from 175° - 500° F (indirect heat)
- Capillary thermostat probe monitors temperature within 5°
- 120 minute timer or continuous on
- Cool-touch safety door
- Double thermal glass door is removable for easy cleaning
- Insulated double wall construction
- Light indicates unit is calling for heat
- Three shelves included
- All stainless construction; easy to clean
- Full one year warranty covering parts and labor
- **120 volts** / 1440 watts / 12 amps/single phase
- NSF, UL (through CSA standards)

Model OV-350 - 120 volt half-size countertop convection oven with finishing mode

Model	Color	Electrical			Unit Dimensions	Ship Wt./lbs.*	Carton Dimensions*	UPC#
		Volts	Watts	Amps				
OV-350	Stainless	120	1440	12	w:22 7/8", h:14 1/4", l:21 3/8"	59	w:25 3/4", h:16 1/2", l:25 3/4"	654796-51835-7

*If shipping by UPS, not by truck, the Ship Wt. is 61 lbs. and the UPS overwrap carton is w:27-1/4", h:18-5/8", l:27-1/2"

For more information, please contact Cadco, Ltd, 145 Colebrook River Road, Winsted, CT 06098
 Tel. (860)738-2500 ♦ Fax (860) 738-9772 ♦ E-mail: info@cadco-ltd.com ♦ Web site: www.cadco-ltd.com

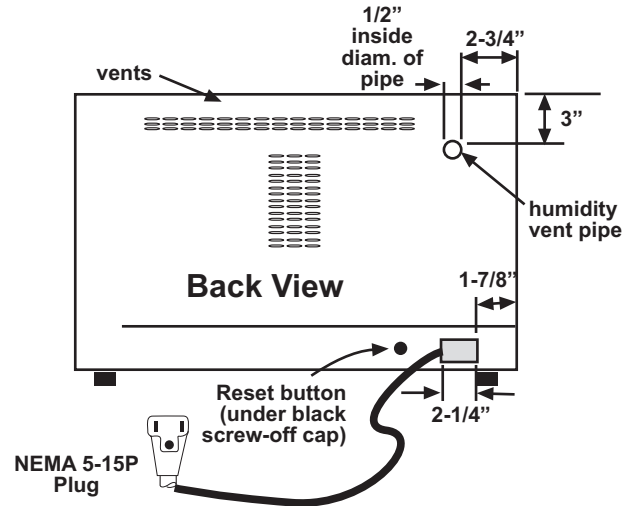
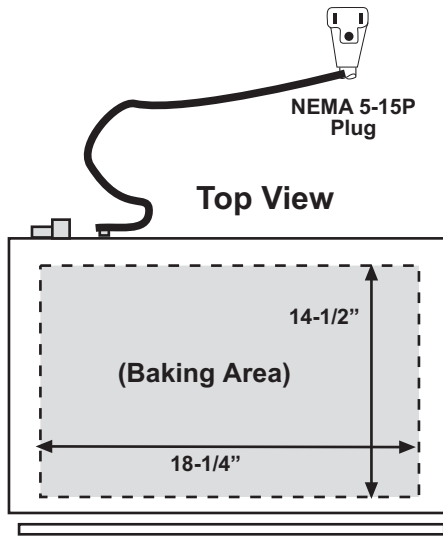
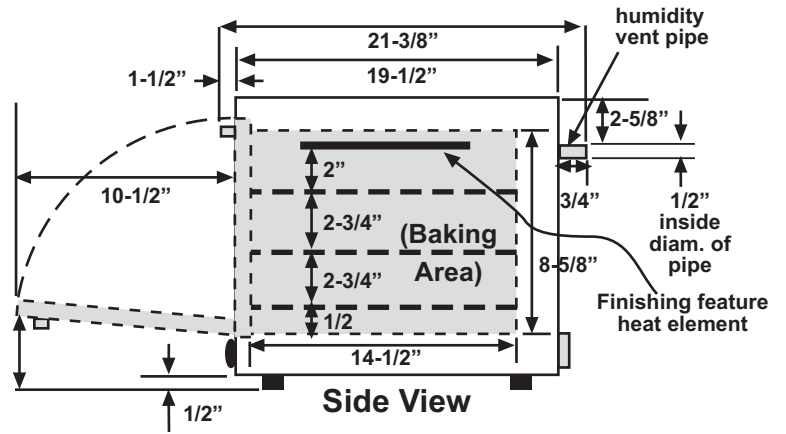
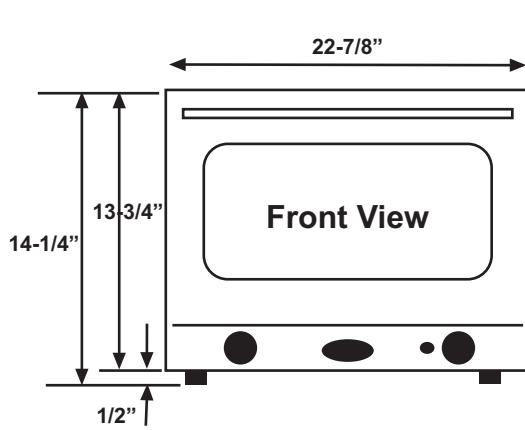
Cadco, Ltd.

Item # _____

Project _____

Model # OV-350

Product Name: Half Size Countertop Convection Oven
3 Sheet Pan Capacity



- OV-350 is made to Cadco Ltd. specifications by UNOX S.p.A. (UNOX model # XA015)
- NSF, UL through CSA Standards
- NSF Certificate Nos. 79610/79610B cover OV-250/300/350/400/500/600

Combustible Wall Clearance Required:

- Sides: 4"
- Rear: 4" from back of humidity vent
- Top: 4"